

Lateral Tilt ICU Bed AVÜNNCARE / AVÜNNCARE⁺



Introduction

AVÜNNCARE / AVÜNNCARE⁺ bed has been developed throughout the knowledge, skilled personnel and advance technology in this field. We are dedicated to develop the most “**Advance Ultimate innovation**” products by a nonstop research to ensure the excellent quality of engineering work. AVÜNNCARE / AVÜNNCARE⁺ is an advance ICU/CCU electrical hospital bed with a lateral tilt which provides a full force in nursing care.

Description

AVÜNNCARE / AVÜNNCARE⁺ is a four-section electric profiling patient bed with lateral tilt is ideal for the care of immobile patients in an array of hospital setting. The beds lateral tilt facility significantly eases the physical strain on nursing staff helping them perform routine nursing activities with the minimum of effort. Routine nursing activities often mean the physical handling of the patient several times a day, often in non-ergonomic positions.

AVÜNNCARE⁺ is more advance model with electric castor that uses electric transportation castor to minimize number of staff nurse while transporting patient and lesser workload.

Excellent In Medical Technology

PRODUCT SPECIFICATION AND PERFORMANCE

SMART FEATURES FOR PATIENT AND NURSE

The AVÜNNCARE bed has been developed electrically adjustable with a lateral tilt which makes it possible to turn the patient with as little physical exertion as possible. The AVÜNNCARE bed offers a lateral tilt and in bed weighing scale; apart from further above standard features which help nurses to care for patients and also ensure higher safety even for the patients themselves.



AVÜNNCARE bed is constructed from sturdy metal frame with epoxy coated finishing, chip-off resistant, scratches resistant and eases to clean during infection control procedure taking place. Height adjustment (500mm-800mm), Angle of backrest's inclination 0° - 80°, Angle of thigh-rest's inclination 0° - 35°, Trendelenburg / Anti-trendelenburg ±15°.



Angle of the lateral tilts 20°. Auto contour function: Allows backrest section and thigh-rest section to adjust simultaneously into a chair position, Removable head and foot board (ABS), ABS Separate side rails, 4 built-in side rail with built in control button for patient and care giver:

Adjustment : Height adjustment, angle adjustments of backrest and thigh-rest, nursing bells. LED display screen for caregiver: position adjustment, angle of lateral tilt, Trendelenburg, Anti-Trendelenburg position and lateral tilt, Nurse Lock function. One-key position of central control panel: cardiac chair position /CPR position /Examination position.



Emergency stop function: The bed can be stopped at all times and positions for one button. Bed Exit Alarm, Manual CPR set (Adjust the backrest segment): Adjust the backrest segment manually 0° - 80°. Backrest angle / degree indicator, Foot controller: adjust the pallet height, Four roller bumpers, Central brake and steering system, Patient fixed accessories, IV pole and four IV pole holder faucets at 4 corner of bed, Drainage bag holders, Waterproof ventilation memory foam / pressure reducing / anti back-sore mattress

Lateral Tilt

- Reduces the physical strain on nurses when handling a patient.
- Eliminates the risk of occupational strain and physical disability.
- Saves time required for routine nursing activities.
- Makes prevention of pressure-sores more effective.
- Helps prevent complications in patients with lymphoedemas and facilitates post-operative drains.
- Helps prevent some negative signs of the immobilisation syndrome.
- Helps increase the quality of the life of long-term or permanently immobile patients.

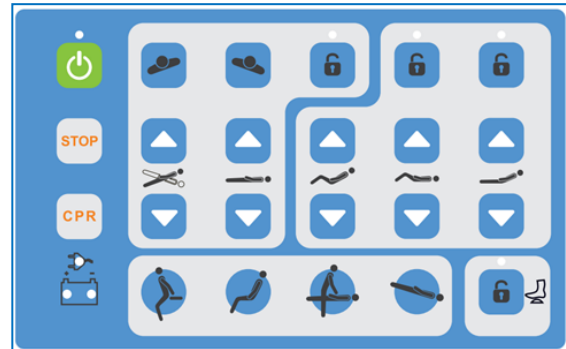


SAFE LATERAL TILT

The three-column bed construction, which enables the lateral tilt, also provides the bed with high stability and rigidity. It also provides a basis for the bed's easy hygiene and mature modern design for new era. The 4 pieces siderails provide patient protection and also lateral position stabilisation. Pillows or special protective aids (mats) protect the patient against pressure-sores.

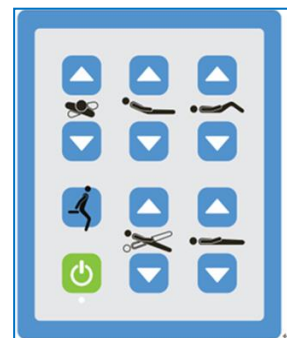
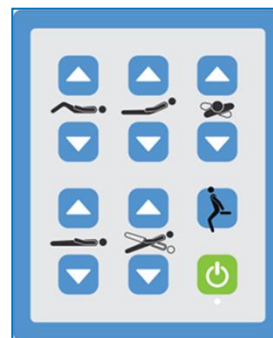
NURSE CONTROLLER FUNCTION

Nurse Controller function unit is to be adjusted to all the bed position, contains memory of frequently used positions, power on off indicator light and battery charging and lifetime indicator light. The Nurse Controller unit is to be used / controlled by the nurse only with the one button to stop all the function; also for the convenient of care giver the hand control with one button for CPR, leisure position, examination, and trendelenburg position.



SIDE RAIL FUNCTION

The AVÜNNCARE is 4 separated PE side rail with embedded control button at both side for ease use by the patient and care giver.



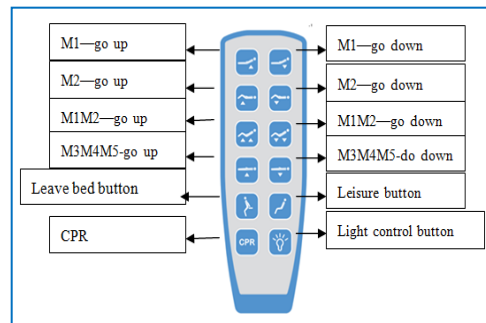
OPTIONAL FEATURES / ACCESSORIES

1. Foot Switch Function

Bed height controls and lateral tilt controls are placed on both sides of the bed. The controls are protected against spontaneous activation by a mechanical barrier, equipped nurse lock button for the safety of the patient and care giver.



2. Night light underneath of mattress support platform and additional hand set.
3. Vascular Position
4. X-Ray Tranlucent at backrest with cassette holder
5. Oxygen cylinder carrier
6. Patinet Monitor board
7. Drainage bag holders



7 ADVANTAGES OF AVÜNNCARE BED WITH LATERAL TILT

- 1) Reduces the physical strain on nurses when handling a patient.
- 2) Eliminates the risk of occupational strain and physical disability.
- 3) Saves time required for routine nursing activities.
- 4) Makes prevention of pressure-sores more effective.
- 5) Helps prevent complications in patients with lymphoedemas and facilitates post-operative drains.
- 6) Helps prevent some negative signs of the immobilization syndrome.
- 7) Helps increase the quality of the life of long-term or permanently immobile patients.

TECHNICAL PARAMETERS

External dimensions 2180 × 1040mm
 Mattress dimensions 1980*900*100mm
 Mattress platform 1980 x 900mm
 height adjustment 500-800mm
 Lateral tilt 20°
 Trendelenburg / Anti Trendelenburg ± 15°
 Backrest tilt 0°-70°
 Thigh rest tilt 0°- 30°
 Safety work load 230 kg
 Weighing Scale Capacity: 300kg
 Weighing Scale Tolerant 100mg
 Degree indicator Tolerance :±2°

ELECTRIC PARAMETERS

Power supply: 220-230; 50-60Hz
 Control box output: 24DC
 IP Grade: IPX4
 Type of protection against electric current class I

Model Number:

AVÜNNCARE Lateral Tilt ICU bed with manual castor movement

AVÜNNCARE⁺ Lateral Tilt ICU bed with electric castor movement

AVÜNNCARE⁺



AVÜNNCARE⁺ is more advance model with electric castor that uses electric transportation castor to minimize number of staff nurse while transporting patient and lesser workload. It is with 2 hands operation on the ergonomic handles with right hand handle movement control using fingertip control button. It lessens the workload for staff nurse while transporting patient with almost effortless strength. The electric castor is complying with medical protection class of IP66. It has the mobility that will enhance the performance and tame the harder working environments of the hospitals.



TÜV Rheinland certified company for
ISO 13485 & CE0197 Marking



PRODUCT SPECIFICATION AND PERFORMANCE

HASSLE FREE IP66 MEDICAL ELECTRIC CASTOR



The electrical castor mounted at middle of the chassis that acts as 5th wheel of the bed to make the bed with single operator during the transportation, easy maneuver and hassle free IP66 electric castor. The higher torque will allow the castor to handle all kinds of rough surfaces. It is almost maintenance free with long lifespan battery that can handle thousands of operation with recharging cycles.

Main Specifications of Electrical Castor

Medical Protection Class :	IP66
Castor Diameter :	160 mm
Type of tire :	Polyurethane
Speed :	0 to 5 km/h
Nominal power :	70 W (S1 at 4 km/h)
Battery capacity :	70 Wh
Torque max :	17 Nm
Push force :	20 daN moves up to 500Kg
Max vertical load :	supports up to 50 kg (use suspension)
Other options :	Brake, Encoder



Maintenance Free



Easy Operation

TÜV Rheinland certified company for
ISO 13485 & CE0197 Marking

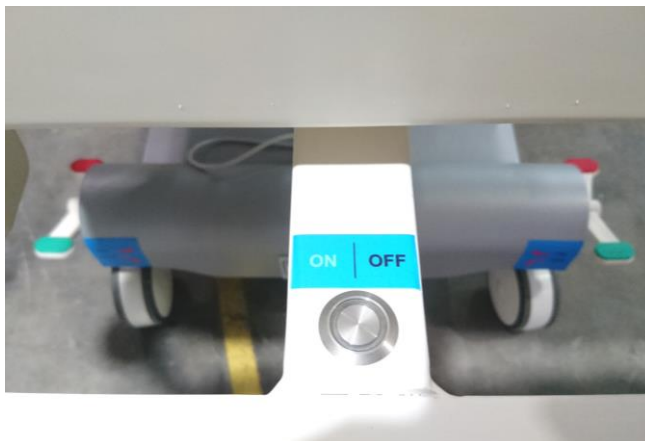


Ergonomic Pushing Handle



The ergonomic design of the pushing handle with fingertip control button easy to control for moving forward and backward.

Safety On / Off Button



Press the On / Off button to activate the motorized castors for maneuver the bed go forward and go backward by using the control knob on the handle.

Electric Movement Direction (Forward & Backward)



Press clockwise to moving forward



Press anti-clockwise to move backward